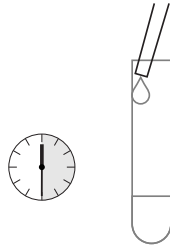


# Microcystin-ADDA ES ELISA Kit, Detailed Procedure

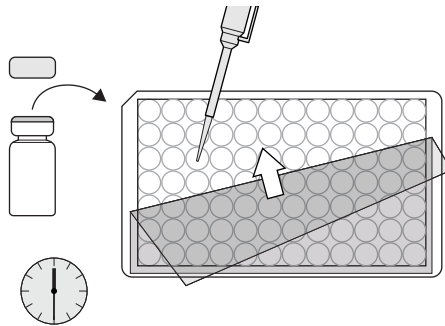
## 1. Pre Incubation

Add 125  $\mu$ L of standards, control, or samples to appropriate labeled glass test tube. Add 125  $\mu$ L of antibody solution to each tube. Vortex and incubate at room temperature for 30 minutes.



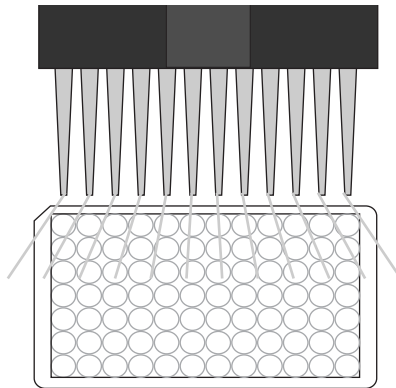
## 2. Addition of Standards, Samples

Add 100  $\mu$ L of the standard solutions, control or samples into the wells of the test strips according to the working scheme given. We recommend using duplicates or triplicates. Cover the wells with parafilm or tape and mix the contents by moving the strip holder in a rapid circular motion on the benchtop. Be careful not to spill contents. Incubate the strips for 90 min. at room temperature.



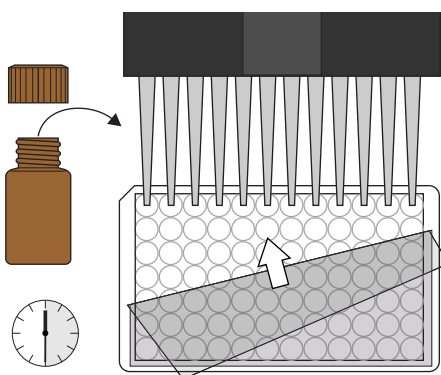
## 3. Washing of Plates

After incubation, remove the covering and vigorously shake the contents of the wells into a sink. Wash the strips three times with a multi-channel pipette using the diluted 1X washing buffer solution. Please use at least a volume of 250  $\mu$ L of washing buffer for each well and each washing step. Remaining buffer in the wells should be removed by patting the plate dry on a stack of paper towels.



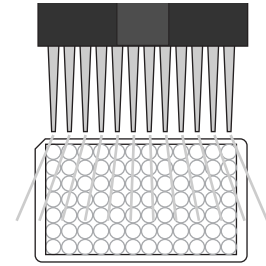
## 4. Addition of Enzyme Conjugate

Add 100  $\mu$ L of the enzyme conjugate to the individual wells successively using a multi-channel pipette or a stepping pipette. Cover the wells with parafilm or tape and mix the contents by moving the strip holder in a rapid circular motion on the benchtop. Be careful not to spill contents. Incubate the strips for 30 minutes at room temperature.



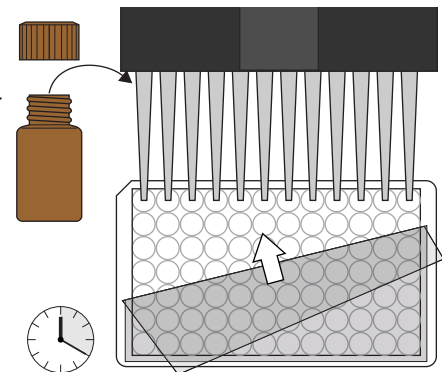
## 5. Washing of Plates

After incubation, remove the covering and vigorously shake the contents of the wells into a sink. Wash the strips three times with a multi-channel pipette using the diluted 1X washing buffer solution. Please use at least a volume of 250  $\mu$ L of washing buffer for each well and each washing step. Remaining buffer in the wells should be removed by patting the plate dry on a stack of paper towels.



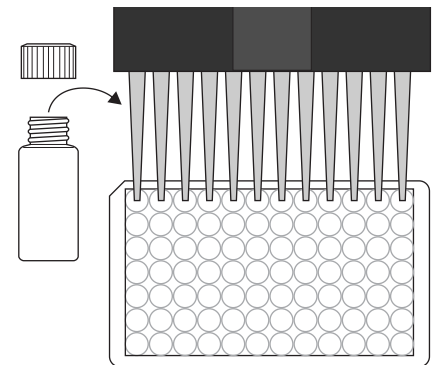
## 6. Addition of Substrate/Color Solution

Add 100  $\mu$ L of substrate/color solution to the individual wells successively using a multi-channel pipette or a stepping pipette. Cover the wells with parafilm or tape and mix the contents by moving the strip holder in a rapid circular motion on the benchtop. Be careful not to spill contents. Incubate the strips for 20-30 minutes at room temperature.



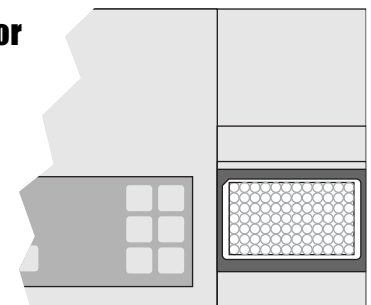
## 7. Addition of Stopping Solution

Add 50  $\mu$ L of stop solution to the wells in the same sequence as for the substrate solution using a multi-channel pipette or a stepping pipette.



## 8. Measurement of Color

Read the absorbance at 450 nm using a microplate ELISA reader. Calculate results.



India Contact:

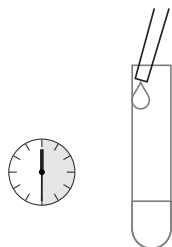
**Life Technologies (India) Pvt. Ltd.**

306, Aggarwal City Mall, Road No. 44, Pitampura, Delhi – 110034, India  
Mobile: +91-98105-21400, Tel: +91-11-42208000, 8111, 8222, Fax: +91-11-42208444  
Email: customerservice@lifetechindia.com, [www.atzlabs.com](http://www.atzlabs.com); [www.lifetechindia.com](http://www.lifetechindia.com)

# Microcystin-ADDA ES ELISA Kit, Concise Procedure

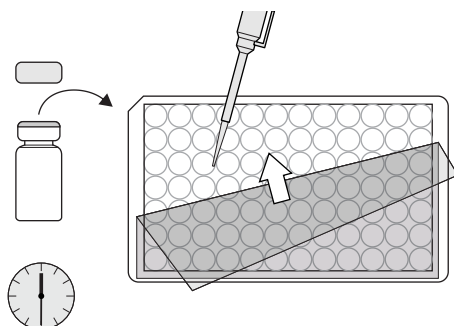
## 1. Pre Incubation

Add 125  $\mu$ L of standards, control, samples, and antibody solution. Vortex. Incubate for 30 minutes at room temperature.



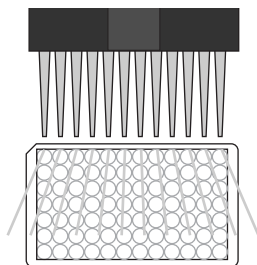
## 2. Addition of Standards, Samples

Add 100  $\mu$ L of standard solutions, control or samples. Cover and mix for 30 seconds by rotating on benchtop. Incubate for 90 minutes at room temperature.



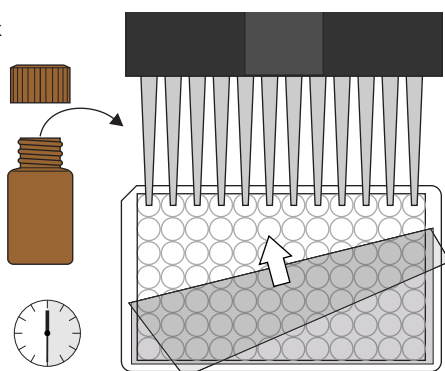
## 3. Washing of Plates

Wash the plates three times with 250  $\mu$ L of diluted 1X washing buffer.



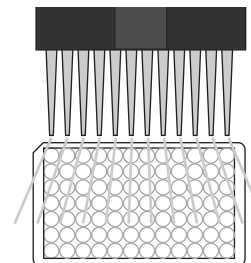
## 4. Addition of Enzyme Conjugate

Add 100  $\mu$ L of enzyme conjugate. Cover and mix for 30 seconds by rotating on benchtop. Incubate for 30 minutes at room temperature.



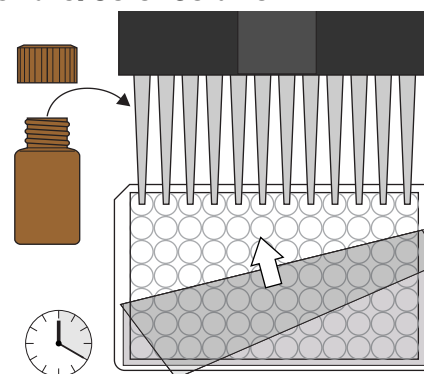
## 5. Washing of Plates

Wash the plates three times with 250  $\mu$ L of diluted 1X washing buffer.



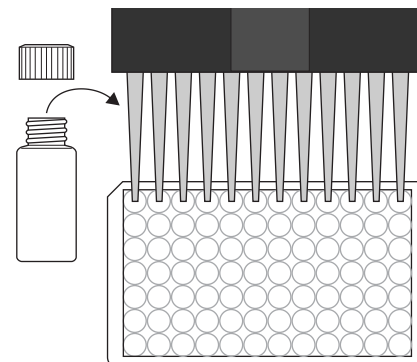
## 6. Addition of Substrate/Color Solution

Add 100  $\mu$ L of substrate/color solution. Incubate 20-30 minutes at room temperature and away from direct sunlight.



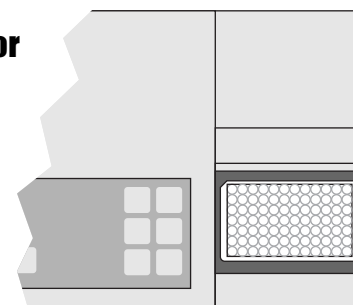
## 7. Addition of Stopping Solution

Add 50  $\mu$ L of stop solution.



## 8. Measurement of Color

Measure color at 450 nm. Calculate results.



India Contact:

**Life Technologies (India) Pvt. Ltd.**

306, Aggarwal City Mall, Road No. 44, Pitampura, Delhi – 110034, India

Mobile: +91-98105-21400, Tel: +91-11-42208000, 8111, 8222, Fax: +91-11-42208444

Email: [customerservice@lifetechindia.com](mailto:customerservice@lifetechindia.com), [www.atzlabs.com](http://www.atzlabs.com); [www.lifetechindia.com](http://www.lifetechindia.com)



# Safety Data Sheet

## Section 1: Product and Company Identification

### 1.1 Product Identifiers:

**Product Name:** Microcystins/Nodularins ADDA ELISA, Microcystins/Nodularins ADDA ES ELISA, Microcystins/Nodularins ADDA SAES ELISA, Microcystins/Nodularins ADDA OH ELISA, Microcystins/Nodularins DM ELISA, Microcystins/Nodularins (ADDA) cELISA Plate Kits

**Product Code:** 520011, 520011ES, 520011SAES, 520011OH, 522015, 520013

**1.2 Identified Use:** Determination of Microcystins/Nodularins in samples. **Restrictions on Use:** For research use only.

**1.3 Company:** Abraxis, Inc., 124 Railroad Drive, Warminster, PA 18974 USA, [info@abraxiskits.com](mailto:info@abraxiskits.com) +1(215) 357-3911, FAX +1(215) 357-5232

**1.4 Emergency Telephone Number:** +1(215) 357-3911

## Section 2: Hazard(s) Identification

**2.1 Classification of the mixture:** Not a hazardous mixture.

**2.2 GHS Label elements, including precautionary statements:** Not applicable.

**2.3 Hazards not otherwise classified (HNOC) or not covered by GHS:** None known.

**2.4 Unknown acute toxicity:** None known.

## Section 3: Composition / Information on Ingredients

**3.2 Mixtures:** *Contains no hazardous ingredients at levels requiring disclosure by the OSHA Hazard Communication Standard (29 CFR 1910.1200)*, however it contains minor amounts of materials considered hazardous. We recommend handling all substances with caution.

## Section 4: First Aid Measures

**4.1 Description of first aid measures:** Consult a physician. Show this safety data sheet to the doctor in attendance. Move out of dangerous area.

**If inhaled:** If breathed in, move person into fresh air. If not breathing, give artificial respiration. Consult a physician.

**In case of skin contact:** Wash off with soap and plenty of water. Consult a physician.

**In case of eye contact:** Rinse thoroughly with plenty of water for at least 15 minutes and consult a physician.

**If swallowed:** Never give anything by mouth to an unconscious person. Rinse mouth with water. Consult a physician.

**4.2 Most important symptoms and effects, both acute and delayed:** No data available

**4.3 Indication of any immediate medical attention and special treatment needed:** No data available. Treat symptomatically.

## Section 5: Fire-fighting Measures

**5.1 Suitable extinguishing media:** Use an extinguishing agent suitable for the surrounding fire.

**5.2 Special hazards arising from the substance or mixture:** None known

**5.3 Advice for firefighters:** Wear self-contained breathing apparatus for fire-fighting if necessary.

**5.4 Further information:** No data available

## Section 6: Accidental Release Measures

**6.1 Personal precautions, protective equipment and emergency procedures:** Use personal protective equipment (see section 8). Avoid dust formation. Avoid breathing vapors, mist, dust, or gas. Ensure adequate ventilation. Evacuate personnel to safe areas.

**6.2 Environmental precautions:** Prevent further leakage or spillage if safe to do so. Do not let product enter drains. Discharge into the environment must be avoided.

**6.3 Methods and materials for containment and cleaning up:** Solids (if applicable): Pick up and arrange disposal without creating dust. Sweep up and shovel. Liquids (if applicable): Absorb with liquid-binding material (sand, diatomite, acid binders, universal binders, sawdust). Keep in suitable, closed containers for disposal.

**6.4 Reference to other sections:** For information on safe handling see section 7.

For information on personal protection see section 8.

For information on disposal see section 13.

## Section 7: Handling and Storage

**7.1 Precautions for safe handling:** See section 2. Avoid inhalation of vapors and contact with skin and eyes. Wear appropriate personal protective equipment. Do not eat, drink, or smoke in work area.

**7.2 Precautions for safe storage:** Keep container(s) tightly closed in a dry, well-ventilated place. Protect from physical damage. See label or product insert for appropriate storage temperature and additional specific information.

**7.3 Specific end use(s):** No data available

## Section 8: Exposure Controls / Personal Protection

**8.1 Control parameters:** Not applicable.

**8.2 Exposure controls:**

**Appropriate engineering controls:** Provide adequate ventilation. Handle in accordance with good industrial hygiene and safety practice. Wash hands before breaks and at the end of workday. Keep away from food and beverages.

**Personal protective equipment:** The usual precautionary measures, including eye/face/skin protection, should be taken when handling any chemical. Avoid contact with eyes, skin, and clothing.

**Eye protection:** As with handling of any chemical, wear approved safety goggles.

**Skin protection:** Handle with gloves. No specific information regarding glove material or thickness is available, but gloves must be impermeable and resistant to the substance being handled. Gloves must be inspected prior to use. Use proper glove removal technique (without touching glove's outer surface) to avoid skin contact with this product. Dispose of contaminated gloves after use in accordance with applicable laws and good laboratory practices. Wash and dry hands.

**Respiratory protection:** As with any chemical, where excessive vapor, mist, or dust may result, use a chemical fume hood or approved respiratory protection equipment.

**Body protection:** Lightweight, protective clothing.

## Section 9: Physical and Chemical Properties

**9.1 Information on basic physical and chemical properties**

**Appearance:** Multiple

**Odor:** Characteristic

**Odor Threshold:** No data available

**pH:** Multiple

**Melting point/freezing point:** No data available

**Initial boiling point and boiling range:** No data available

**Flash point:** Not applicable

**Evaporation rate:** No data available

**Flammability (solid, gas):** No data available

**Upper/lower flammability or explosive limits:** No data available

**Vapor pressure:** No data available

**Vapor density:** No data available

**Relative density:** No data available

**Water solubility:** Various

**Partition coefficient: n-octanol/water:** No data available

**Auto-ignition temperature:** Not applicable

**Decomposition temperature:** No data available

**Viscosity:** No data available

**Explosive properties:** No data available

**Oxidizing properties:** No data available

**9.2 Other information:** No data available

## Section 10: Stability and Reactivity

**10.1 Reactivity:** No data available

**10.2 Chemical stability:** Stable under recommended storage conditions.

**10.3 Possibility of hazardous reactions:** No data available

**10.4 Conditions to avoid:** No data available

**10.5 Incompatible materials:** No data available

**10.6 Hazardous decomposition products:** No data available. In the event of fire: see section 5.

## Section 11: Toxicological Information

**11.1 Information on toxicological effects**

**Acute toxicity:** Not available. To the best of our knowledge, the chemical, physical, and toxicological properties of this product have not been thoroughly investigated.

**Inhalation:** No data available      **Ingestion:** No data available

**India Contact:**

**Life Technologies (India) Pvt. Ltd.**

306, Aggarwal City Mall, Road No. 44, Pitampura, Delhi – 110034, India

Mobile: +91-98105-21400, Tel: +91-11-42208000, 8111, 8222, Fax: +91-11-42208444

Email: customerservice@lifetechindia.com, [www.atzlabs.com](http://www.atzlabs.com) ; [www.lifetechindia.com](http://www.lifetechindia.com)

**Skin contact:** Irritant to skin and mucous membranes.

**Eye contact:** May cause eye irritation in susceptible persons.

**Respiratory or skin sensitization:** No data available      **Aspiration hazard:** No data available

**Mutagenicity:** No data available

#### **Carcinogenicity**

IARC: No component of this product present at levels greater than or equal to 0.1% is identified as probable, possible or confirmed human carcinogen by IARC.

ACGIH: No component of this product present at levels greater than or equal to 0.1% is identified as a carcinogen or potential carcinogen by ACGIH.

NTP: No component of this product present at levels greater than or equal to 0.1% is identified as a known or anticipated carcinogen by NTP.

OSHA: No component of this product present at levels greater than or equal to 0.1% is identified as a carcinogen or potential carcinogen by OSHA.

**Teratogenicity:** No data available      **Reproductive/fertility toxicity:** No data available

**Specific target organ toxicity, single exposure:** No data available

**Specific target organ toxicity, repeated exposure:** No data available

### Section 12: Ecological Information

**12.1 Toxicity:** No data available

**12.2 Persistence and degradability:** No data available

**12.3 Bioaccumulative potential:** No data available

**12.4 Mobility in soil:** No data available

**12.5 Results of PBT and vPvB assessment:** No data available

**12.6 Other adverse effects:** An environmental hazard cannot be excluded in the event of unprofessional handling or disposal.

### Section 13: Disposal Considerations

#### **13.1 Waste treatment methods**

**Product:** All waste must be handled and disposed according to local, state, and federal regulations. Avoid disposing large volumes in sewer.

**Contaminated packaging:** All waste must be handled and disposed according to local, state, and federal regulations.

Refer to sections 7 and 8 for safe handling guidance.

### Section 14: Transport Information

**UN Number:** Not regulated      **UN Proper shipping name:** Not classified as dangerous in the meaning of transport regulations.

**Transport hazard class(es):** No data available      **Packing group:** No data available      **Environmental hazard:** No data available

**Bulk transport:** No data available      **Special considerations:** No data available

### Section 15: Regulatory Information

To the best of our knowledge, this product contains no substances which, at their given concentrations, are considered hazardous by other regulatory agencies. Refer to section 3.

### Section 16: Other information

This information is based on our present knowledge. While Abraxis, Inc. believes that the data contained herein are factual and the opinions expressed represent a best effort to present accurate information, the data are not to be taken as a warranty or representation for which Abraxis, Inc. assumes legal responsibility. The information shall not be taken as being all-inclusive and is to be used only as a guide. The data are offered solely for the user's consideration, investigation, and verification. These suggestions should not be confused with either state, municipal, or insurance requirements, or with national safety codes and constitute no warranty. Any use of these data and information must be determined by the user to be in accordance with applicable federal, state, and local regulations.

All materials and mixtures may present unknown hazards and should be used with caution. Since Abraxis, Inc. cannot control the methods, volumes, or conditions of use of this product, Abraxis, Inc. shall not be held liable for any damages or losses resulting from the handling or from contact with the product as described herein. An individual technically qualified to handle potentially hazardous chemicals must supervise the use of this material. This product is sold for research use only. It is not for any human or animal therapeutic or clinical diagnostic use.

**Date this SDS was prepared:** 5/20/2016

**Version:** 3

**Changes from previous version:** Abraxis, LLC changed to Abraxis, Inc.

**India Contact:**

**Life Technologies (India) Pvt. Ltd.**

306, Aggarwal City Mall, Road No. 44, Pitampura, Delhi – 110034, India

Mobile: +91-98105-21400, Tel: +91-11-42208000, 8111, 8222, Fax: +91-11-42208444

Email: customerservice@lifetechindia.com, [www.atzlabs.com](http://www.atzlabs.com); [www.lifetechindia.com](http://www.lifetechindia.com)